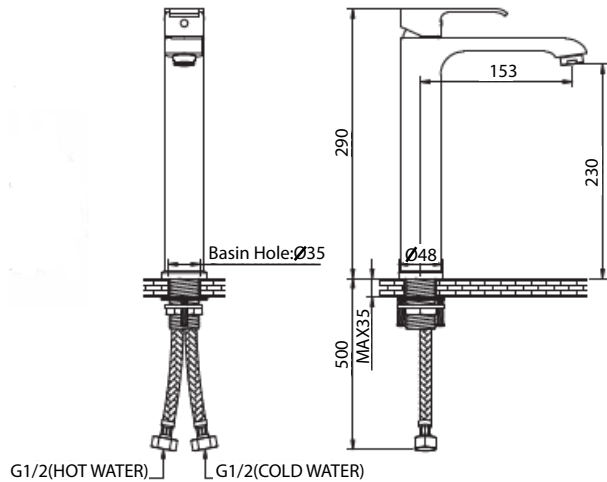


ZILVER[®]
Concetti Italiani

Water Genius!

Zilver Stark Basin Mixer Long Item Code : RG100



Basic information:

Stark series is a timeless design with innovative technology: neopearl areator facilities energy and water saving approach to handle the valuable commodity water
For Single Hole Installation

Cartridge : 35mm Ceramic with Brass Stick

Flexible connection hoses with brass nuts

Chrome plating 0.2-0.3 μ m

Nickel plating 8-10 μ m

Minimum pressure 0.1 mpa /14.5 psi/1 bar