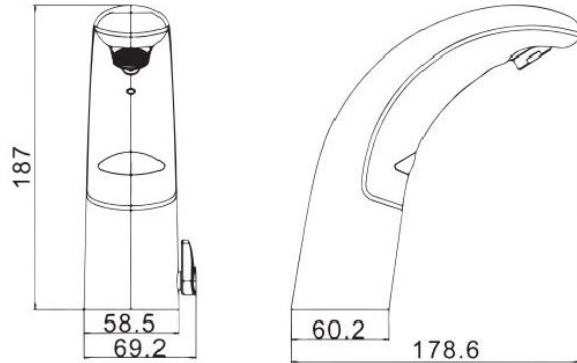


**ZILVER**<sup>®</sup>  
Concetti Italiani

Water Genius!

## Zilver Sensor Mixer

Item Code : **ZY9030T**



### Basic information:

Zilver Infrared Automatic Basin Spout is truly modern with its innovative infrared technology. Fully hands-free operation via the built-in infrared sensor means that this spout provides an easy and hygienic wash on a daily basis. A strikingly curved angled design for this piece is not just a visual flourish but also ensures convenient placement so that simply placing your hands within the sensing range activates the water flow which also makes it water-efficient. It is constructed using best quality brass and finished in shiny chrome for a durable and sophisticated looking fitting.

### SPECIFICATION

**Product Standard** EN 15091

**Aerator Type** M24X1 Male Threaded

**Flow Rate** 7.5 – 9 Lt / Min (3 Bar)

**Operation Type** Electronic and Sensor with Automatic Photocell Eyed

**Spout Length** 95 mm

**Spout Height** 135 mm

**Water Connection Flex Dimension** 1/2"

**Max. Performance Temperature** 80°C

**Suggested Performance Temperature** 60°C

**Photocell Faucet Energy Feed System** Electric (220V / 12V) and Battery (6V DC Lithium Cell)

**Product Total Height** 160 mm

[www.zilver.co](http://www.zilver.co)