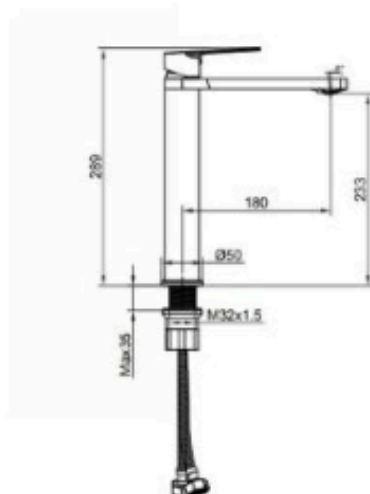


Zilver Long Basin Mixer

Item code

ZARC100



The Zilver Long Basin Mixer is a perfect blend of style, durability, and innovative engineering, designed to enhance your bathroom's elegance. Featuring a minimalist yet striking design, this mixer complements modern and contemporary basins, delivering a touch of luxury to your daily routine.

Features

- Flexible Connection hoses with brass nuts
- Aerator @2.2 gpm max. @60psi
- Chrome plating 0.2-0.3 micrometer
- Nickel Plating 8-10 micrometer
- Minimum pressure 0.1 mpa /14.5psi/ 1bar